

MAIN INFORMATION		Barattolo 0,25 L s.s. vap
Code		<b>318.000</b>

RAW MATERIAL		CLOSURE SYSTEM	
PP - Polypropylene	<b>X</b>	Snap + Tamper evidence	
PS - Polystyrene		Membrane seal	
PE - Polyethylene		Easy open Aluminum	<b>X</b>
Food Approvals			

DIMENSION		LID SUITABLE (Code)
Weight (g)	<b>16,2</b>	<b>319.000</b>
Brimful volume (ml)	<b>250</b>	
Useful volume (ml)	<b>250</b>	

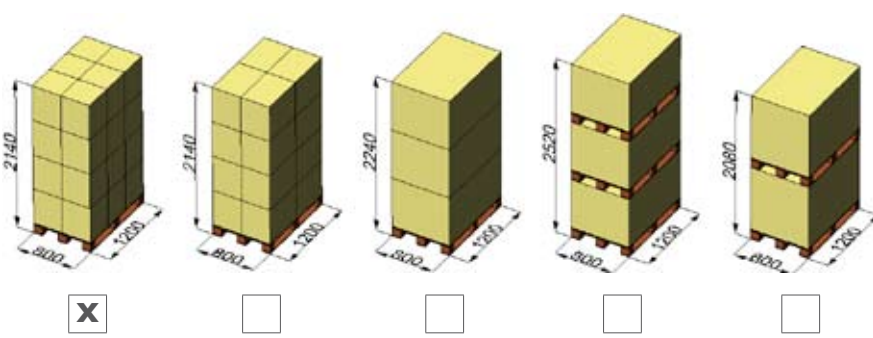
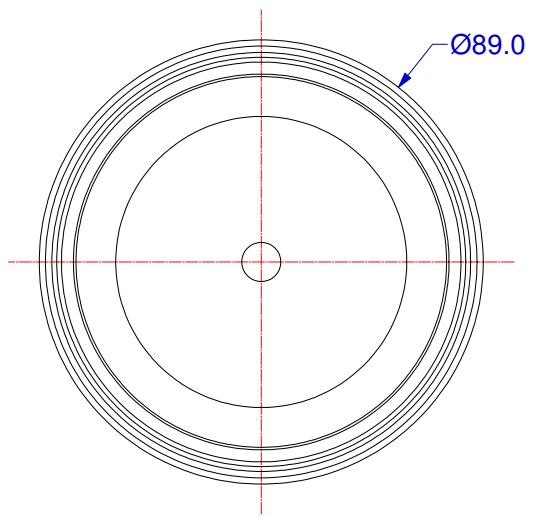
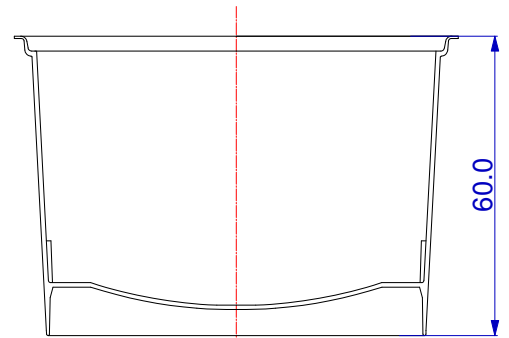
DECORATION			
Adhesive label		Offset	
I.M.L	<b>X</b>	Skinny	
I.M.S.		Other	
I.M.S. barrier			

PACKING	Box	Box	Palbox		
	400 x 400 h 500	400 x 600 h 500	800 x 1200 h 700	800 x 1200 h 900	
N° x box	<b>408</b>				
Weight box (Kg)	<b>6,6</b>				
Boxes x pallet	<b>24</b>				
Weight pallet (Kg)	<b>163</b>				
N° x pallet	<b>9792</b>				

IMAGE



EXTERNAL DIMENSIONS (mm)



MAIN INFORMATION		Coperchio 0,25 L s.s.	
Code		<b>319.000</b>	
RAW MATERIAL		CLOSURE SYSTEM	
PP - Polypropylene	<b>X</b>	Snap + Tamper evidence	<b>X</b>
PS - Polystyrene		Membrane seal	
PE - Polyethylene		Easy open Aluminum	
DIMENSION		SUITABLE FOR (Code)	
Weight (g)	<b>5,6</b>	<b>318.000</b>	
DECORATION		FOOD APPROVALS	
I.M.L	<b>X</b>		
PACKING		Box	Palbox
		400 x 400	800 x 1200
		h 500	h 700    h 900
N° x box	<b>1370</b>		
Weight box (Kg)	<b>7,7</b>		
Boxes x pallet	<b>24</b>		
Weight pallet (Kg)	<b>190</b>		
N° x pallet	<b>32880</b>		

EXTERNAL DIMENSIONS (mm)

**X**