

| MAIN INFORMATION |  | Barattolo 0,255 L s.s. |
|------------------|--|------------------------|
| Code             |  | <b>336.000</b>         |

| RAW MATERIAL       |          | CLOSURE SYSTEM         |          |
|--------------------|----------|------------------------|----------|
| PP - Polypropylene | <b>X</b> | Snap + Tamper evidence | <b>X</b> |
| PS - Polystyrene   |          | Membrane seal          |          |
| PE - Polyethylene  |          | Easy open Aluminum     |          |
| Food Approvals     |          |                        |          |

| DIMENSION           |            | LID SUITABLE (Code) |  |
|---------------------|------------|---------------------|--|
| Weight (g)          | <b>13</b>  | <b>339.000</b>      |  |
| Brimful volume (ml) | <b>255</b> |                     |  |
| Useful volume (ml)  | <b>255</b> |                     |  |

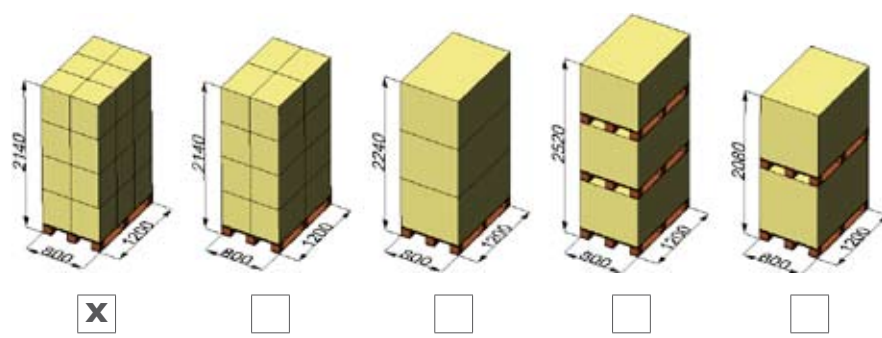
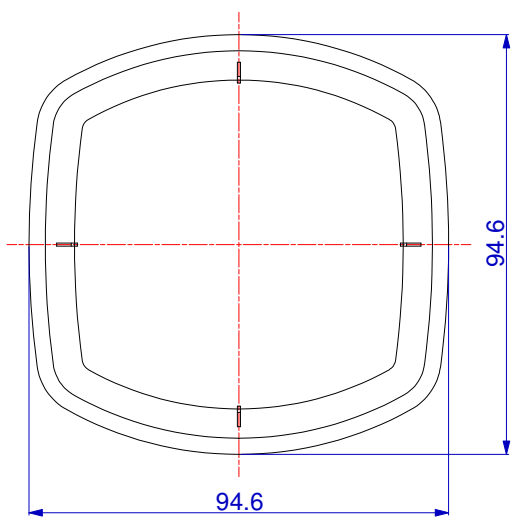
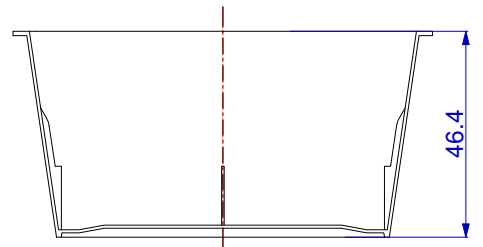
| DECORATION     |                 |
|----------------|-----------------|
| Adhesive label | Offset          |
| I.M.L          | <b>X</b> Skinny |
| I.M.S.         | Other           |
| I.M.S. barrier |                 |

| PACKING            | Box                | Box                | Palbox              |                     |
|--------------------|--------------------|--------------------|---------------------|---------------------|
|                    | 400 x 400<br>h 500 | 400 x 600<br>h 500 | 800 x 1200<br>h 700 | 800 x 1200<br>h 900 |
| N° x box           | <b>448</b>         |                    |                     |                     |
| Weight box (Kg)    | <b>5,8</b>         |                    |                     |                     |
| Boxes x pallet     | <b>24</b>          |                    |                     |                     |
| Weight pallet (Kg) | <b>145</b>         |                    |                     |                     |
| N° x pallet        | <b>10752</b>       |                    |                     |                     |

IMAGE



EXTERNAL DIMENSIONS (mm)



**MAIN INFORMATION** Coperchio Le Fish s.s.

Code **339.000**

**RAW MATERIAL** **CLOSURE SYSTEM**

|                    |          |                        |          |
|--------------------|----------|------------------------|----------|
| PP - Polypropylene | <b>X</b> | Snap + Tamper evidence | <b>X</b> |
| PS - Polystyrene   |          | Membrane seal          |          |
| PE - Polyethylene  |          | Easy open Aluminum     |          |

**DIMENSION** **SUITABLE FOR (Code)**

|            |            |                |
|------------|------------|----------------|
| Weight (g) | <b>7,4</b> | <b>336.000</b> |
|            |            | <b>337.000</b> |
|            |            | <b>338.000</b> |

**DECORATION** **FOOD APPROVALS**

I.M.L **X**

**PACKING** **Box** **Box** **Palbox**

|                    |              |           |            |       |
|--------------------|--------------|-----------|------------|-------|
|                    | 400 x 400    | 400 x 600 | 800 x 1200 |       |
|                    | h 500        | h 500     | h 700      | h 900 |
| N° x box           | <b>960</b>   |           |            |       |
| Weight box (Kg)    | <b>7,2</b>   |           |            |       |
| Boxes x pallet     | <b>24</b>    |           |            |       |
| Weight pallet (Kg) | <b>178</b>   |           |            |       |
| N° x pallet        | <b>23040</b> |           |            |       |

**EXTERNAL DIMENSIONS (mm)**

